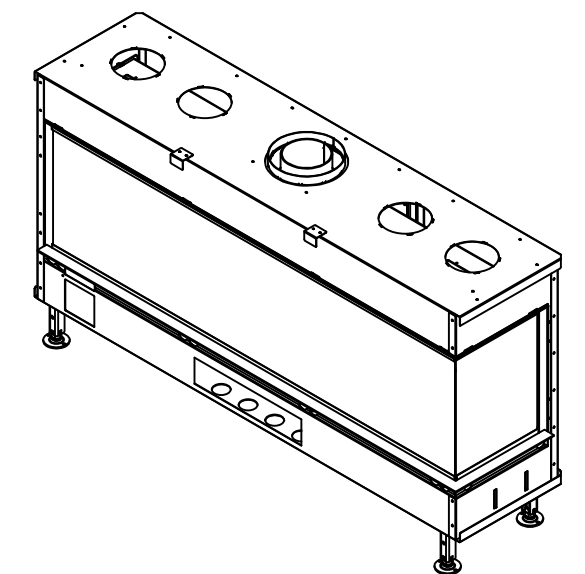
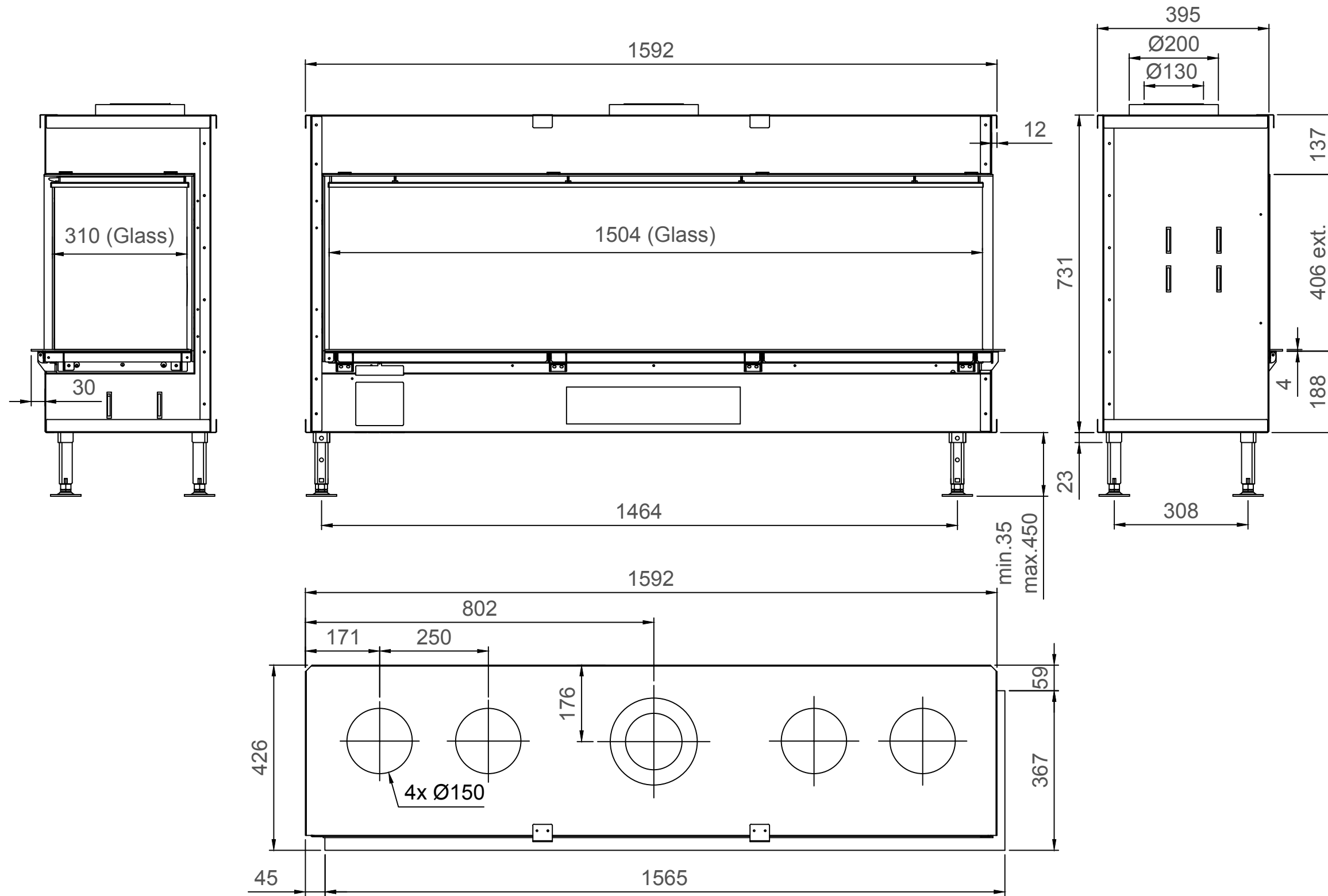
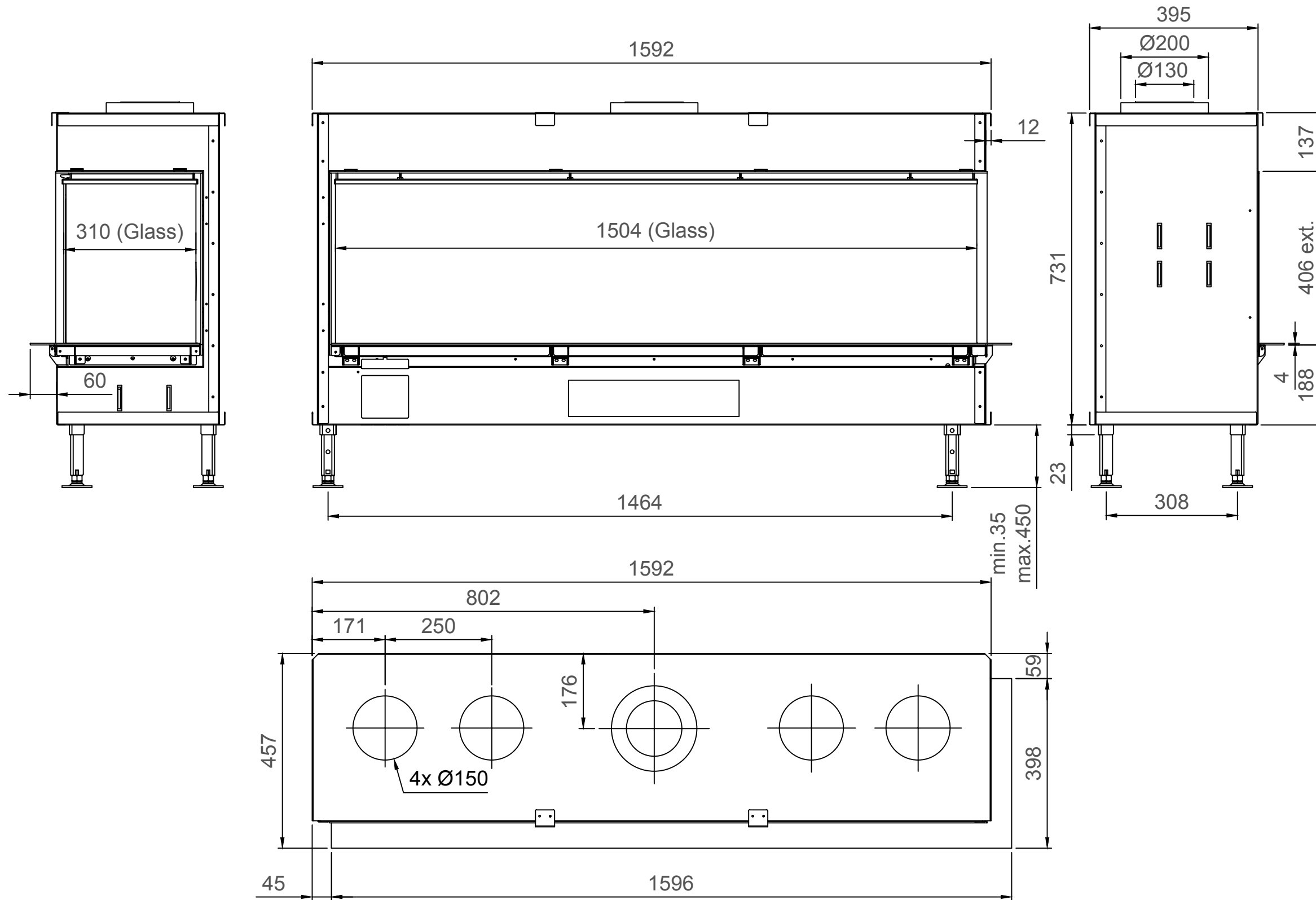


Luna Diamond 1600CR Gas/Gaz - Type 1 - Coverframe

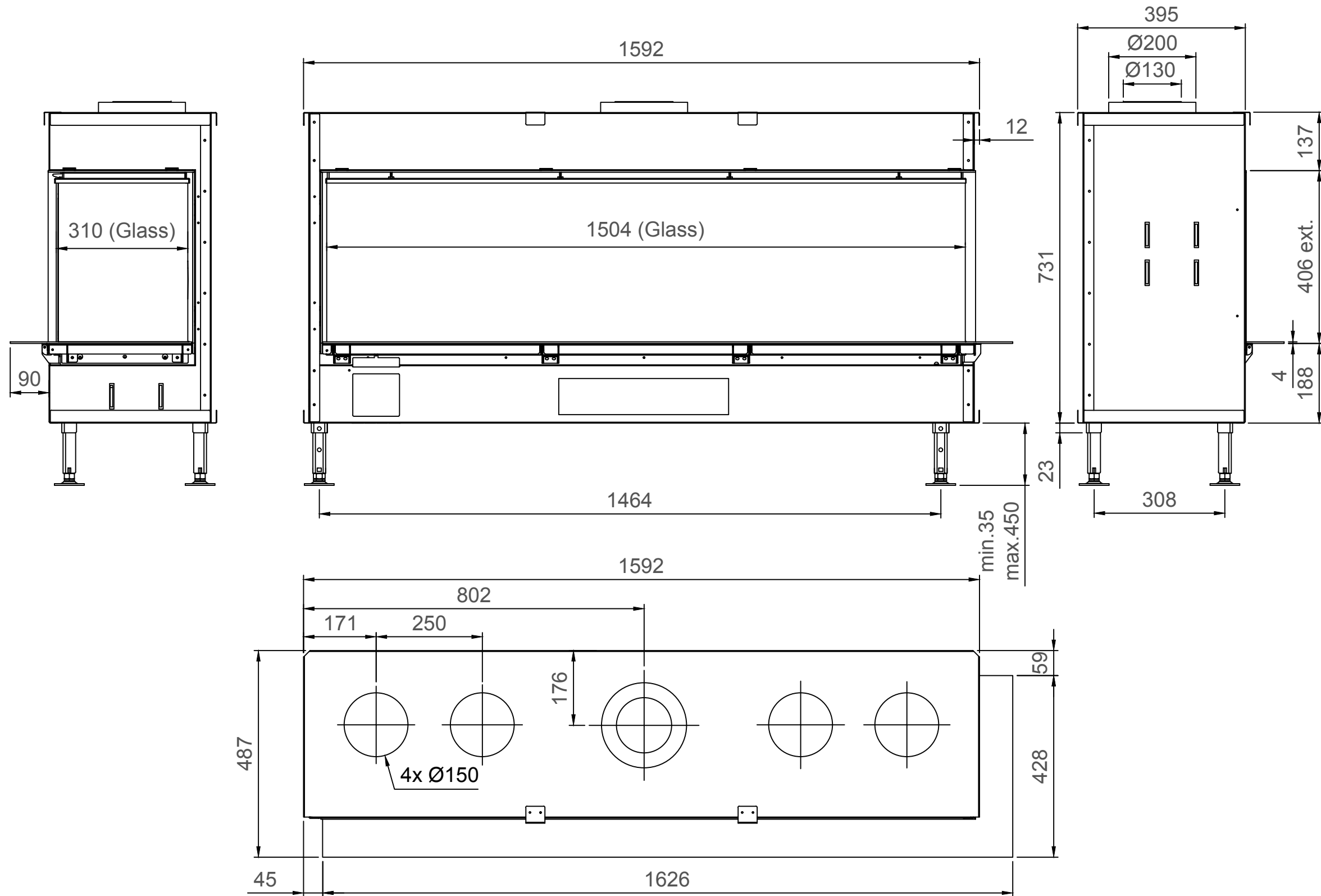


Scale 1:2

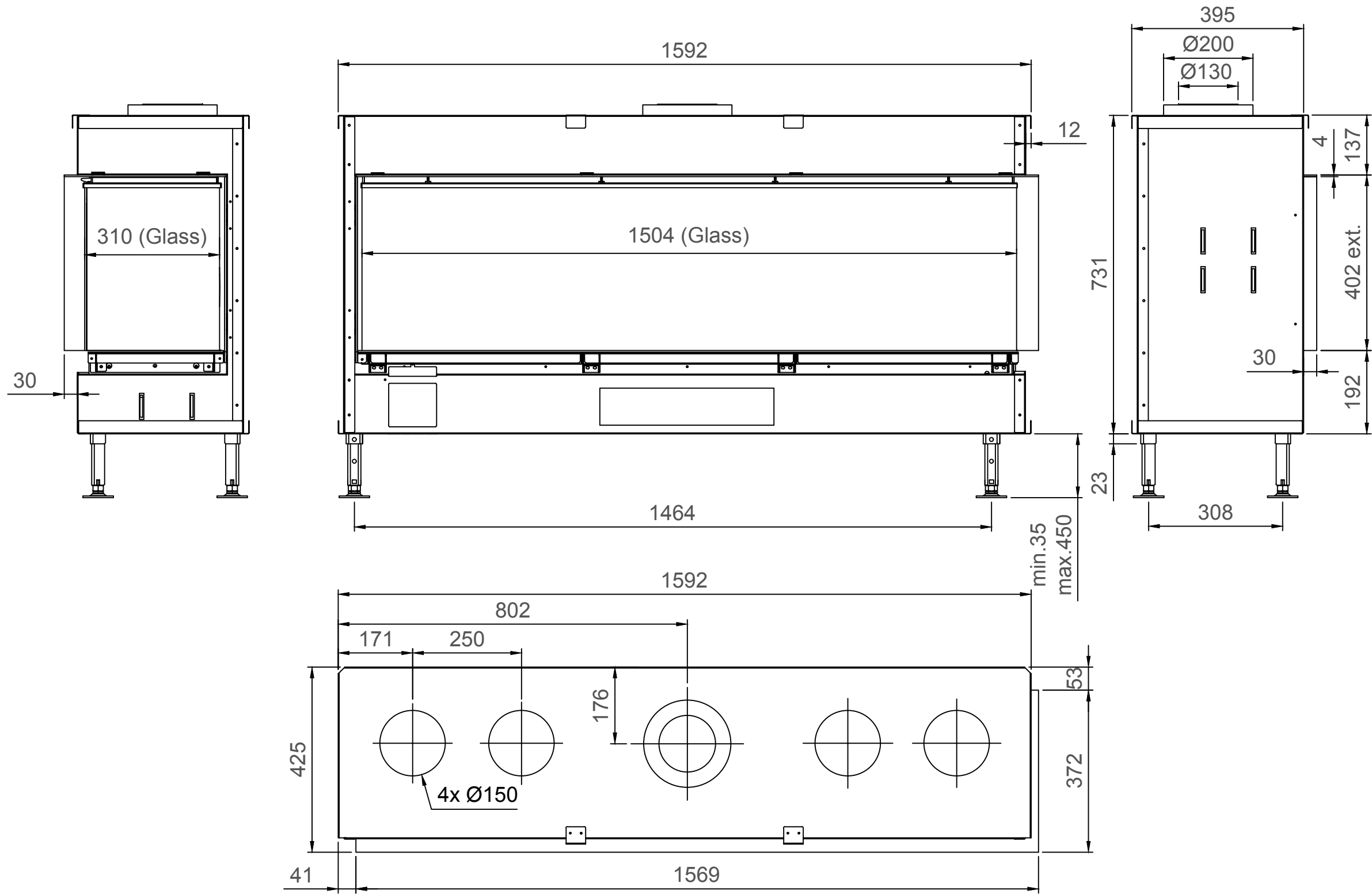
Luna Diamond 1600CR Gas/Gaz - Type 2 - 30mm



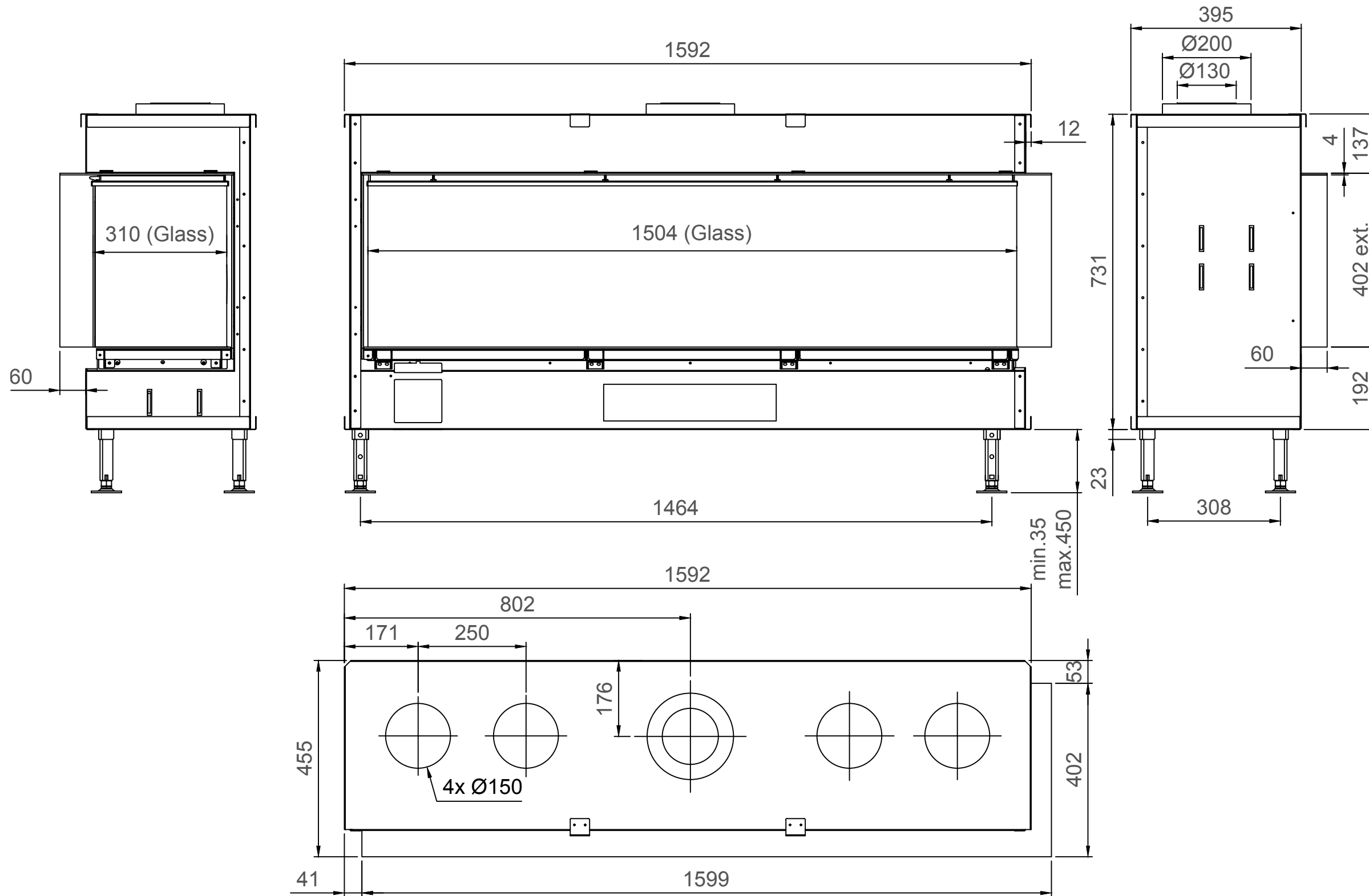
Luna Diamond 1600CR Gas/Gaz - Type 2 - 60mm



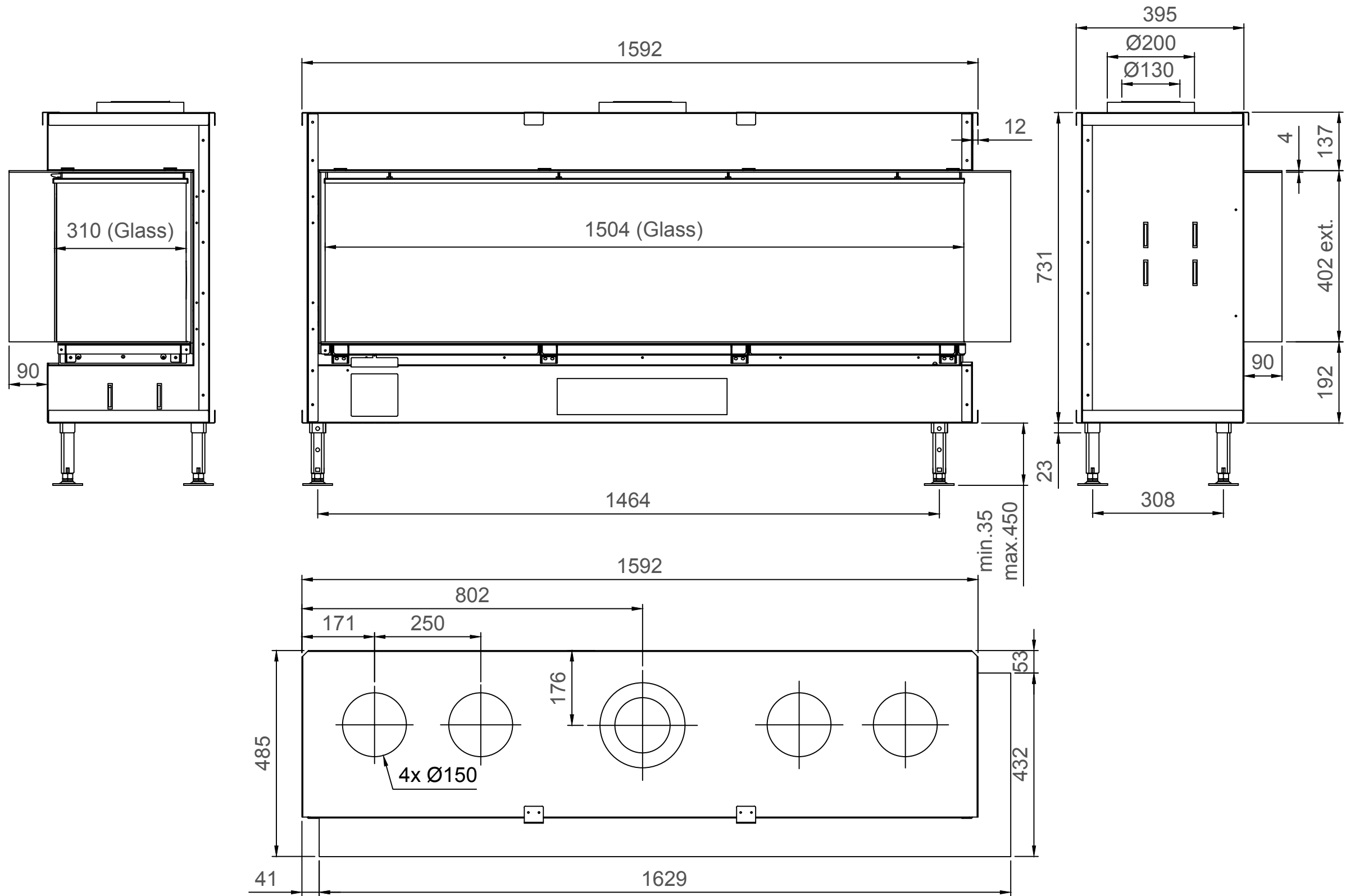
Luna Diamond 1600CR Gas/Gaz - Type 2 - 90mm



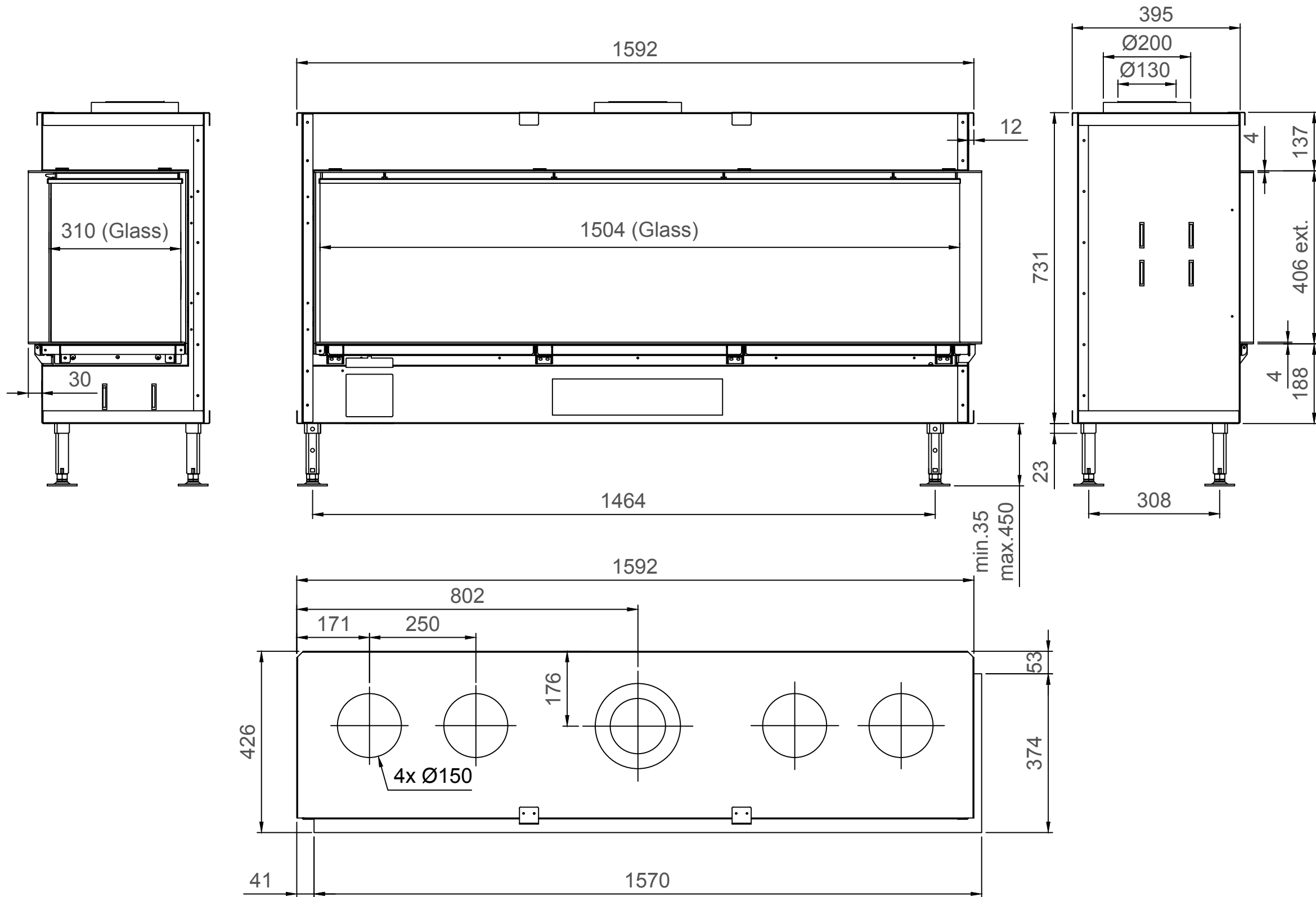
Luna Diamond 1600CR Gas/Gaz - Type 3 - 30mm



Luna Diamond 1600CR Gas/Gaz - Type 3 - 60mm

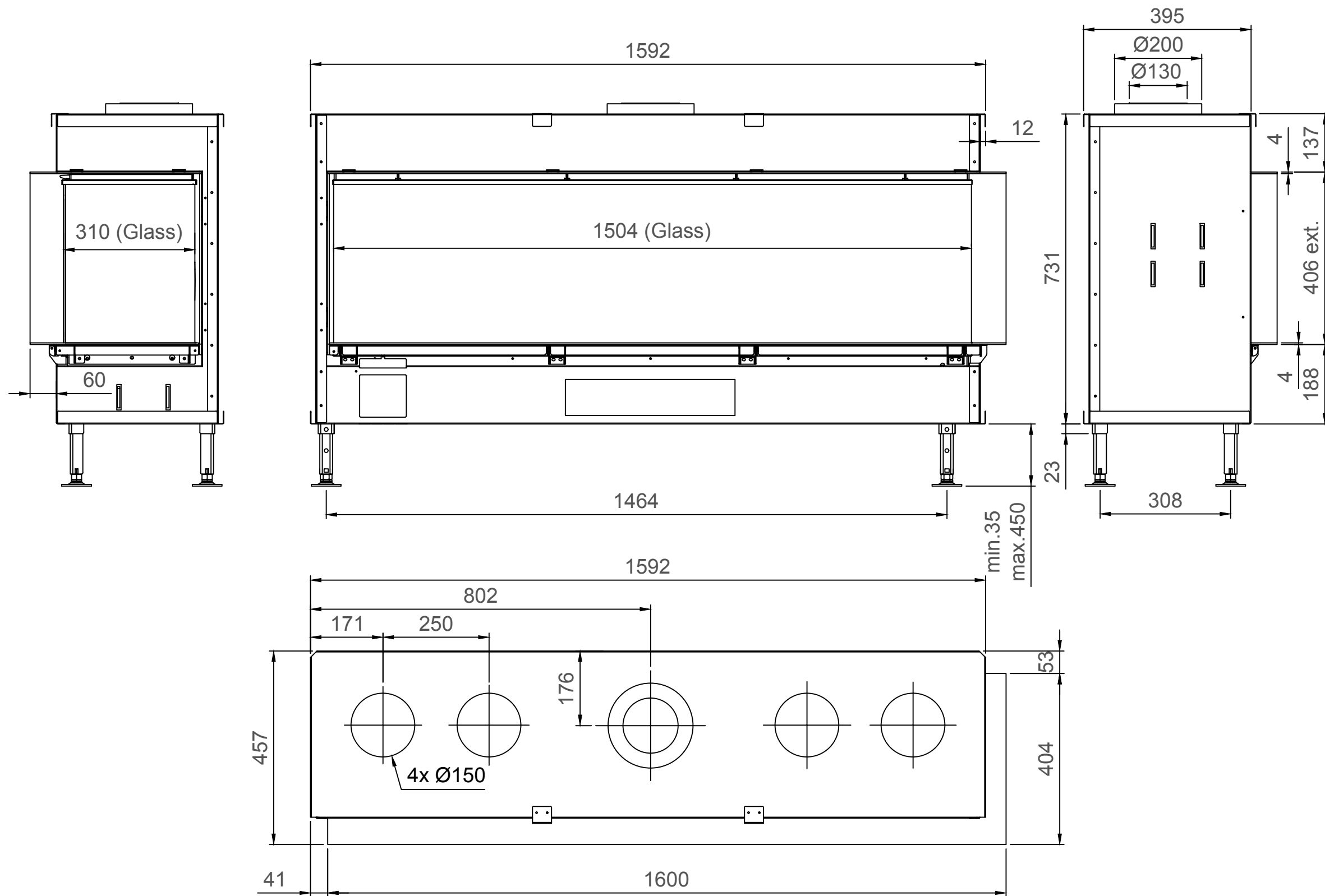


Luna Diamond 1600CR Gas/Gaz - Type 3 - 90mm

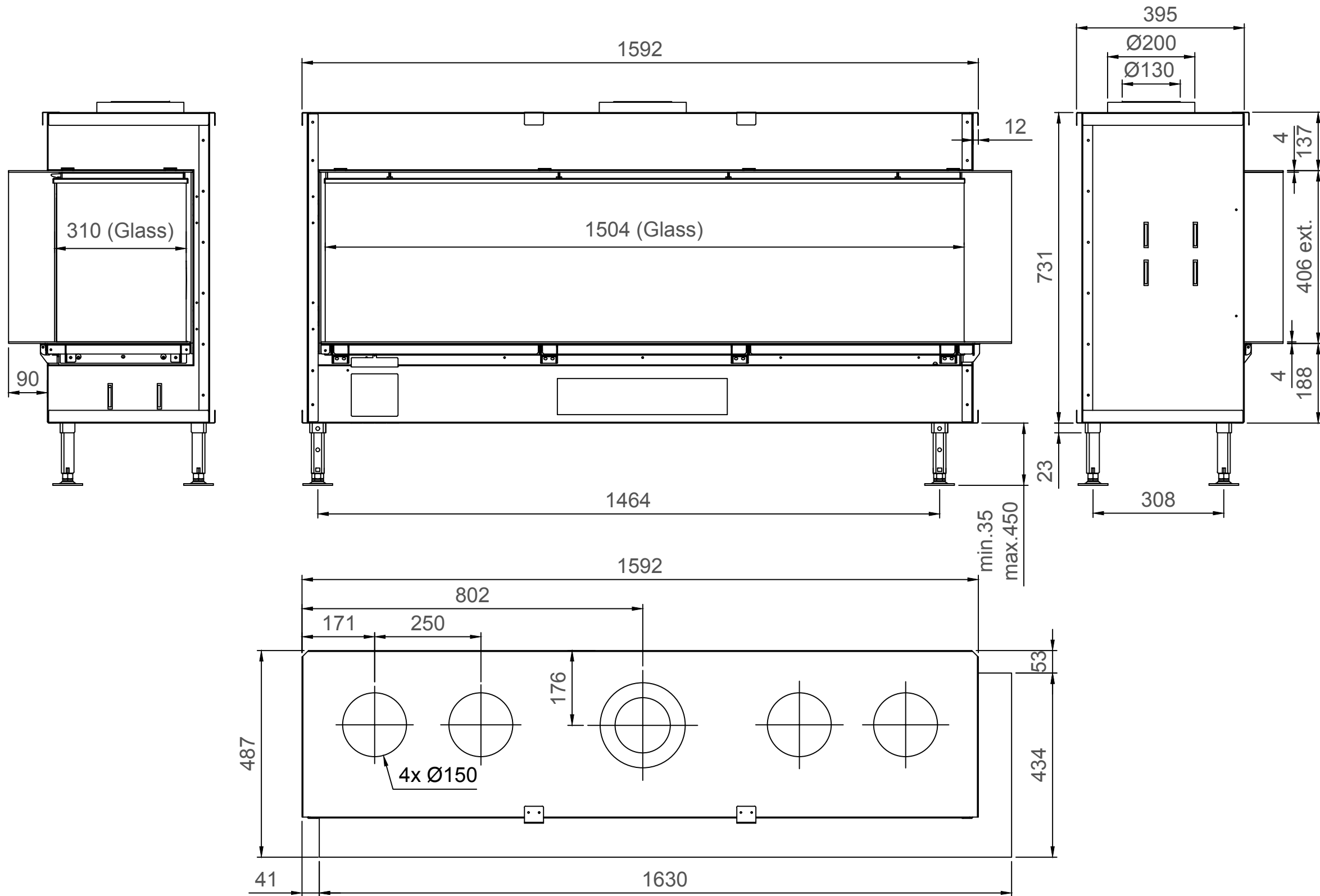


Luna Diamond 1600CR Gas/Gaz - Type 4 - 30mm





Luna Diamond 1600CR Gas/Gaz - Type 4 - 60mm



Luna Diamond 1600CR Gas/Gaz - Type 4 - 90mm