



Passion for fire

**USER'S MANUAL**  
**BOLZANO**

## USING THE BOLZANO

### 1. OPENING AND CLOSING THE DOOR:

WORK SLOWLY WHILE OPENING THE DOOR WHEN THERE IS A FIRE. Opening the door too quickly causes smoke deposit in the room.

CLOSING THE DOOR: pull the handle up, push the door against the combustion chamber in such a way that the door presses slightly against the door seal, then push the handle downwards until it is completely locked.

### 2. FUEL

#### 1. WOOD

The quality of the wood is EXTREMELY IMPORTANT for the optimal functioning of the STOVE (output, clear glass, etc.).

Good quality wood is wood that has been dried under an aerated shelter for at least 2 years (about 18% moisture content). You can also use briquettes (the effect is comparable with that of wood).

#### 2. FORBIDDEN FUEL

The use of treated wood (painted, etc.) and all types of household waste, which can disperse hazardous gases, is FORBIDDEN and CANCELS OUT ANY CLAIM ON THE GUARANTEE. The use of fluid fuel (petrol, etc.) is also forbidden.

### 3. STARTING THE FIRE

Note: when a fire is made for the first time, the paint will harden and that will give off smoke.

1. Open the air control tappet as far as possible to the extremely right position)

This tappet regulates as well the primary and secondary air supply.



2. Put a bed of newspaper or firelighters with kindling in the stove and light the tinder.
3. Leave the door slightly ajar to avoid a quick deposition the window (because the temperature of the glass is still too low and causes condensation and deposition of smoke).
4. CLOSE THE DOOR as soon as the window is warm enough (after about 5 minutes)
5. Wait until the kindling burns well and put the first few wooden logs in the stove.
6. When the fire burns well, you have to move lever to the right position.

#### **4. ASH PAN**

You must check the ash pan regularly to avoid an ash pan that is too full and to make sure that it closes properly.

#### **5. MAINTENANCE**

Over and above cleaning the glass regularly, you must have your chimney swept at least once a year for optimal functioning of the stove (not only is this a legal requirement, but it is also best for your own safety). If the glass gets dirty too quickly, check the humidity of the wood and / or open the secondary air supply aperture completely (above the door).

A fire brick can still work perfectly well even though it is cracked. However, should there be a piece missing out of the brick, the brick must be replaced to effectively protect the combustion chamber.

#### **6. LACQUERING**

If the lacquering has been damaged, you can always touch it up with a special spraying can, which is available from your supplier.

#### **7. UNCONTROLLABLE FIRE**

This phenomenon occurs when the ash pan is completely full or if the door does not seal properly. Therefore, check that the ash pan is not too full and can close properly. Check the sealing cord and replace it if necessary.

#### **8. GUARANTEE**

- *TERMS AND ITEMS COVERED*

\* 6 years' guarantee on the general structure.

\* 2 years' guarantee on the spare parts.

\* No guarantee on the glass, seals and sealing cords or Chamoflex plates.

- *PROVISO*

This contract ceases to be valid if the instructions and guidelines of these operating instructions have not been followed.

Indemnification during the guarantee period will take place only through the supplier's mediation upon presentation of the invoice of purchase.

Parts will be delivered only in replacement of defect parts.

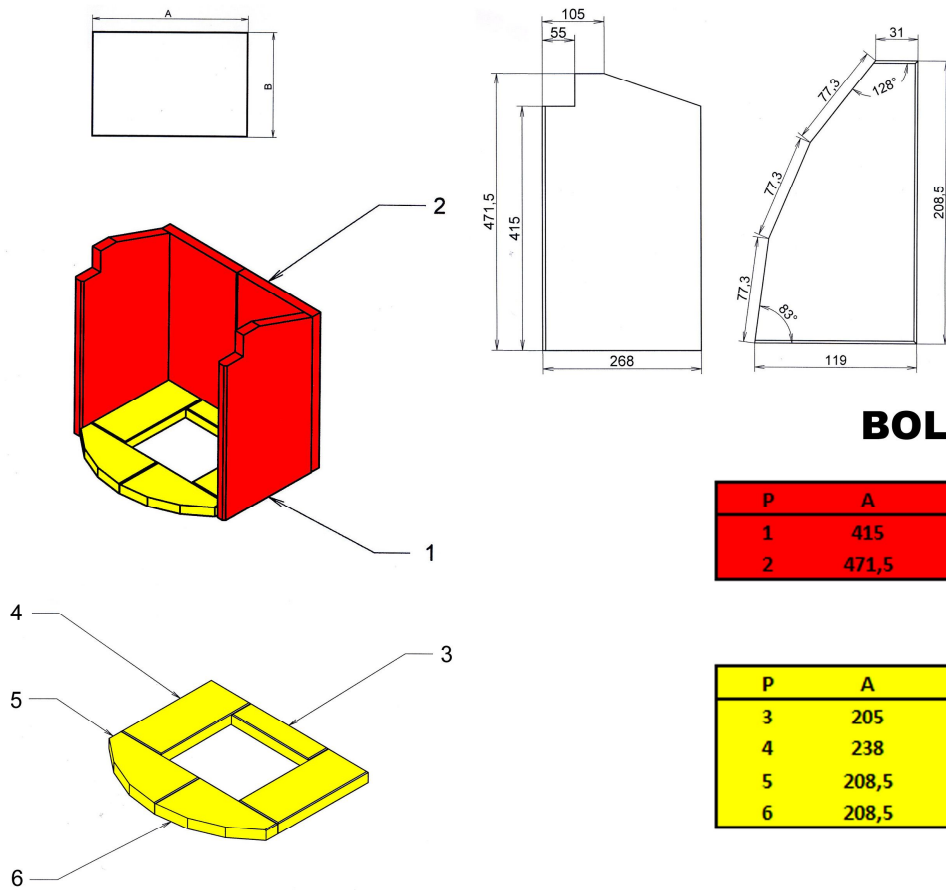
- *DISCLAIMER*

Damage, loss and malfunctions linked to:

- Incorrect installation or incorrect connection.
- Chimney draught that has not been adjusted.
- Transport and installation.
- Incorrect usage.
- Insufficient maintenance.
- Unsuitable, hazardous and damp fuel.
- Every internal amendment to or reconstruction of the stove.

## 9. POSITION OF THE CHAMOFLEX STONES

ver. 23/01/2008



### BOLZANO GOLD

P	A	B	#
1	415	234	2
2	471,5	268	2

P	A	B	#
3	205	52	1
4	238	105	2
5	208,5	119	1
6	208,5	119	1